

**NA4907-XL**

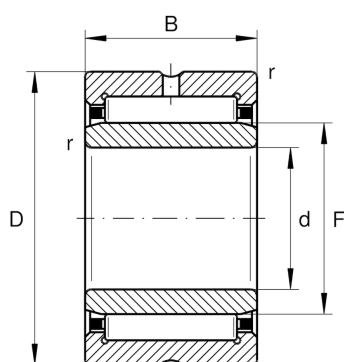
## Needle roller bearing

Schaeffler ID:  
0506596180000

Needle roller bearing NA49..-XL, single row, with inner ring, outer ring with 2 bords

X-life

## Technical information

**Main Dimensions & Performance Data**

d	35 mm	Bore diameter
D	55 mm	Outside diameter
B	20 mm	Width
$C_r$	35,500 N	Basic dynamic load rating, radial
$C_{0r}$	50,000 N	Basic static load rating, radial
$C_{ur}$	9,600 N	Fatigue load limit, radial
$n_G$	10,700 1/min	Limiting speed
$n_{gr}$	5,800 1/min	Reference speed
	173.5 g	Weight

**Dimensions**

F	42 mm	Raceway diameter inner ring
$r_{min}$	0.6 mm	Minimum chamfer dimension
s	0.8 mm	Axial displacement

**Temperature range**

$T_{min}$	-30 °C	Operating temperature min.
$T_{max}$	120 °C	Operating temperature max.